



DTX 24" Model



DTX 48" Model



DTX 96" Model

The **DTX** by DARITECH

DariTech, Inc., continues to lead the way with the expansion of the DTX line of separators.

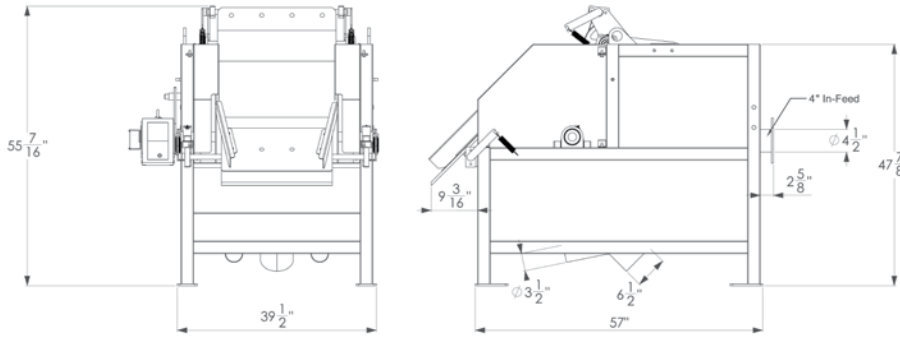
Offering three sizes to fit the industries dairy needs with six screen opening sizes to match the system requirements.

The DTX separator allows for fine separation without the screen cleaning. Also allows for high throughput without the need to manage feed rates even with high dissolved manure solids content.

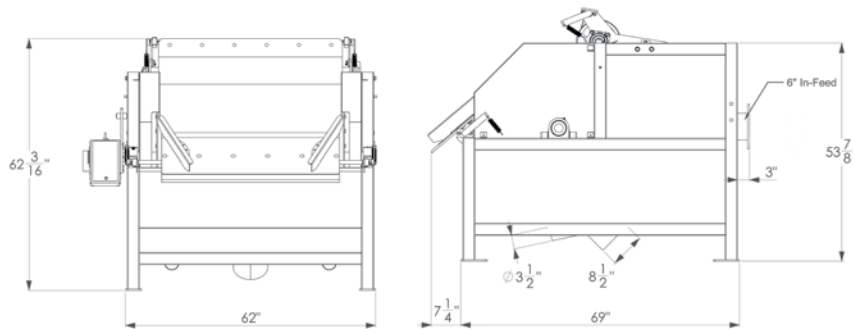
Manufactured in the USA!



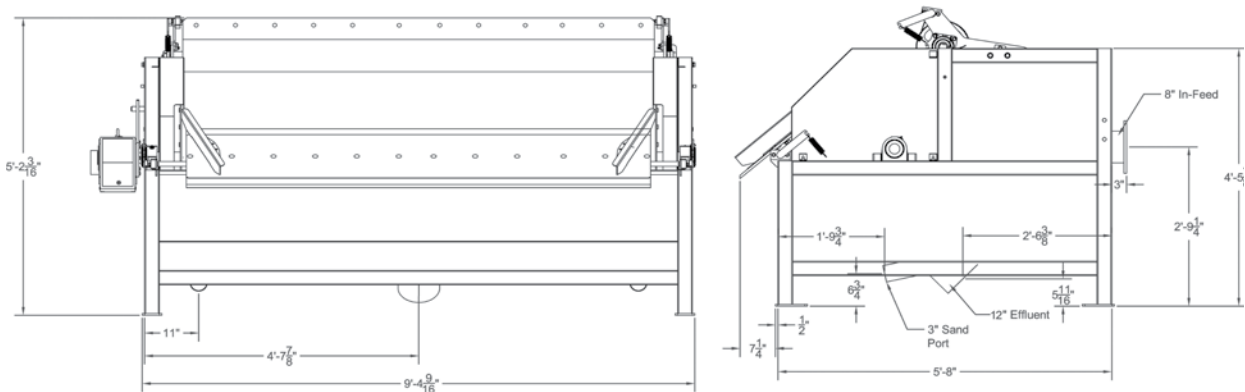
DTX 24" Model



DTX 48" Model



DTX 96" Model



Roller Presses



24" 4 Roller



42" 4 Roller



34" 2 Roller



34" 2 Roller (weighted)



72" & 96" 2 Roller



With the introduction of the wedge wire screens in all model sizes, each model can be configured for standard separation, bedding or high capture separation. With high capture separation, a fine screen can be used for closed loop flush, flush flume systems, secondary separation, or high capture primary separation.

	24" 4 Roller (For Bedding) 32-34% DM	42" 4 Roller (For Bedding) 32-34% DM	34" 2 Roller 22-25% DM	34" 2 Roller (Weighted) 20-22% DM	72" 2 Roller 22-25% DM	96" 2 Roller 22-25% DM
24" DTX						
.060 Scrape	400 Cows	800 Cows	1000 Cows	1000 Cows	-	-
.040 Flush	400 Cows	800 Cows	800 Cows	800 Cows	-	-
.030 Fine	-	500 Cows	500 Cows	500 Cows	-	-
48" DTX						
.060 Scrape	-	1200 Cows	1500 Cows	1500 Cows	2000 Cows	-
.040 Flush	-	1200 Cows	1500 Cows	1500 Cows	2000 Cows	-
.030 Fine	-	-	1000 Cows	1000 Cows	1000 Cows	-
.020 Fine	-	-	1000 Cows	1000 Cows	1000 Cows	-
96" DTX						
.040 Flush	-	-	-	-	-	4000 Cows
.030 Fine	-	-	-	-	-	2400 Cows
.020 Fine	-	-	-	-	-	2000 Cows

All specifications are approximate, depending on water usage and bedding material.

Screen sizes available in each model: .010, .020, .030, .040, .050, .060





Features:

- Adaptable to multiple roller presses
- Parts available same day or next day delivery
- High performance machine design
- Direct drive, no wheels, gears or chains, eliminates wear and repairs
- Integrated bypass for varying feed routes
- Built in rock trap
- Operation not effected by change in feed consistency
- Corrosion resistant
- Low horsepower
- Field serviceable
- Small footprint
- Easy to operate and maintain



DariTech, Inc • Lynden, WA

Why DariTech

DariTech is the most complete manure separation company in the industry, with separators and systems for any animal feeding operation. Always focused on low operating and maintenance costs, DariTech brings the best value to your operation.